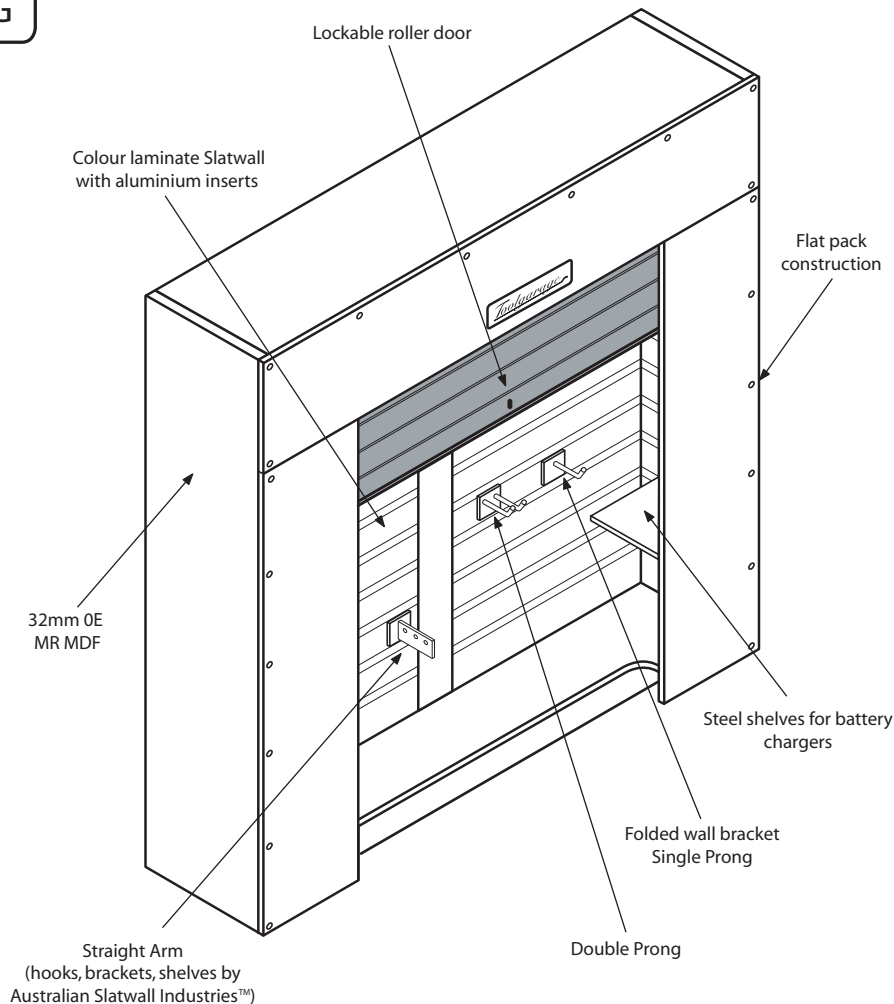


Flexible and Secure Tool Storage

Part # DTG



Dimensions: 2100mm H x 2100mm W x 500 mm D

The Dalmau Tool Garage offers both secure storage and visible display for a wide variety of hand tools. The roller shutter door allows quick opening and closing.

The internal Slatwall panels allow for custom tool display. Electrical outlets can be fitted internally by others to allow charging of cordless tool batteries.

A selection of standard brackets accommodates many standard tools and allows for custom tool shelves or boxes to be built and attached to the Slatwall back.

The Dalmau Tool Garage is delivered knocked-down with clear instructions for assembly. Assembly can be arranged by Dalmau Designs if required.

Contact Dalmau Designs P: 1300 919 661 E: info@dalmaudesigns.com