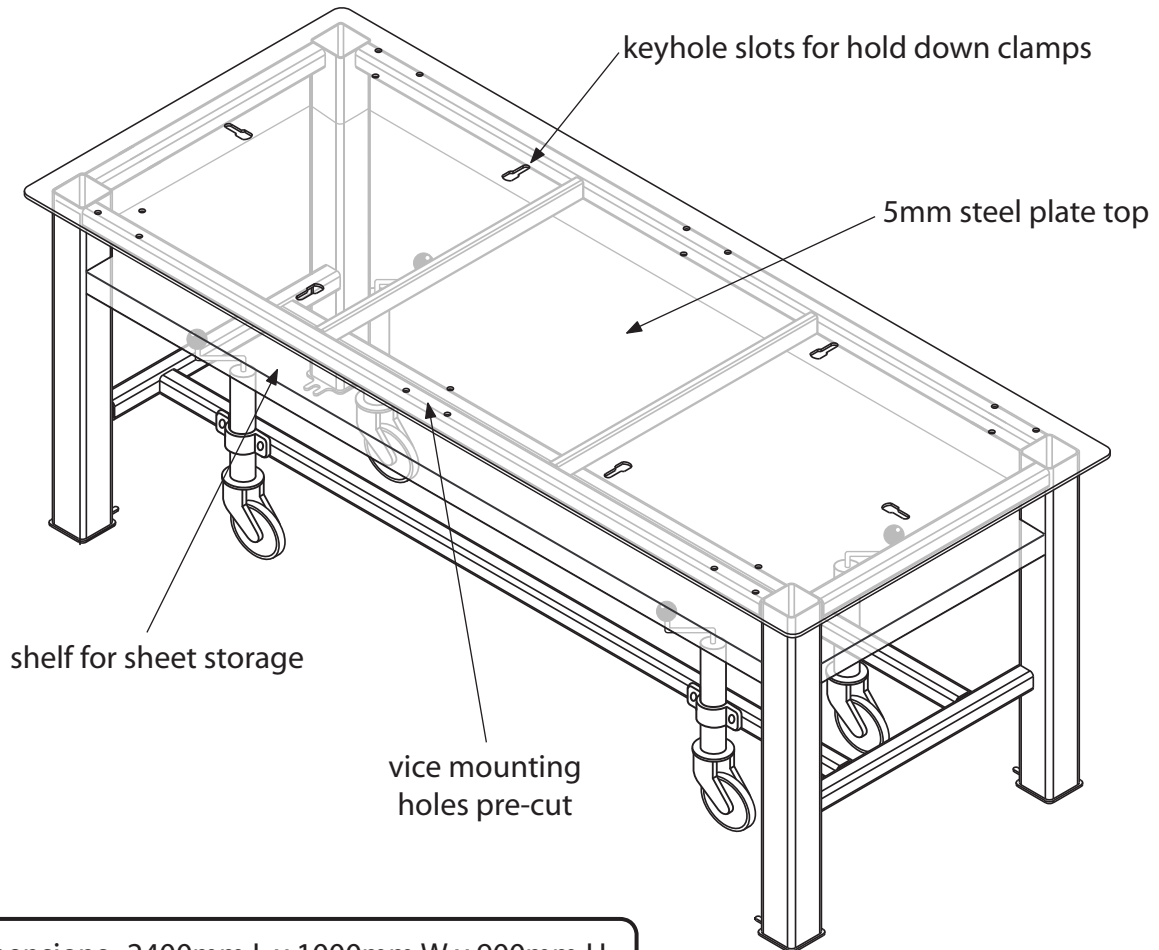


PORTABLE METAL / PLASTICS BENCH



Part # PMPB



Dimensions: 2400mm L x 1000mm W x 900mm H

The Dalmau Portable Metal / Plastics Bench offers a number of benefits over traditional metalwork benches. The laser cut top provides accurate holes for the use of the same hold down clamps as are used on the Dalmau Workbench.

Vices can be easily and quickly added or removed as required. Vice options include 100mm engineering vices, 150mm offset and 150mm straight vices. The bench provides a flat surface for both sheetmetal work and for welding fit-up work. The middle shelf provides storage space for sheet stock or parts.

The addition of trailer type "jockey wheels" makes for easy transport of the bench around the workshop. Laser cut tags are provided on the feet for permanent or semi-permanent fixing to concrete floors if desired.

This bench provides the benefits of a rugged but accurate metalwork bench and at the same time allows for easy movement if and when necessary. The flat surface also lends itself to working with plastics and other sheet stock. Optional wear surfaces can be fitted.

Contact Dalmau Designs P: 1300 919 661 E: info@dalmaudesigns.com