

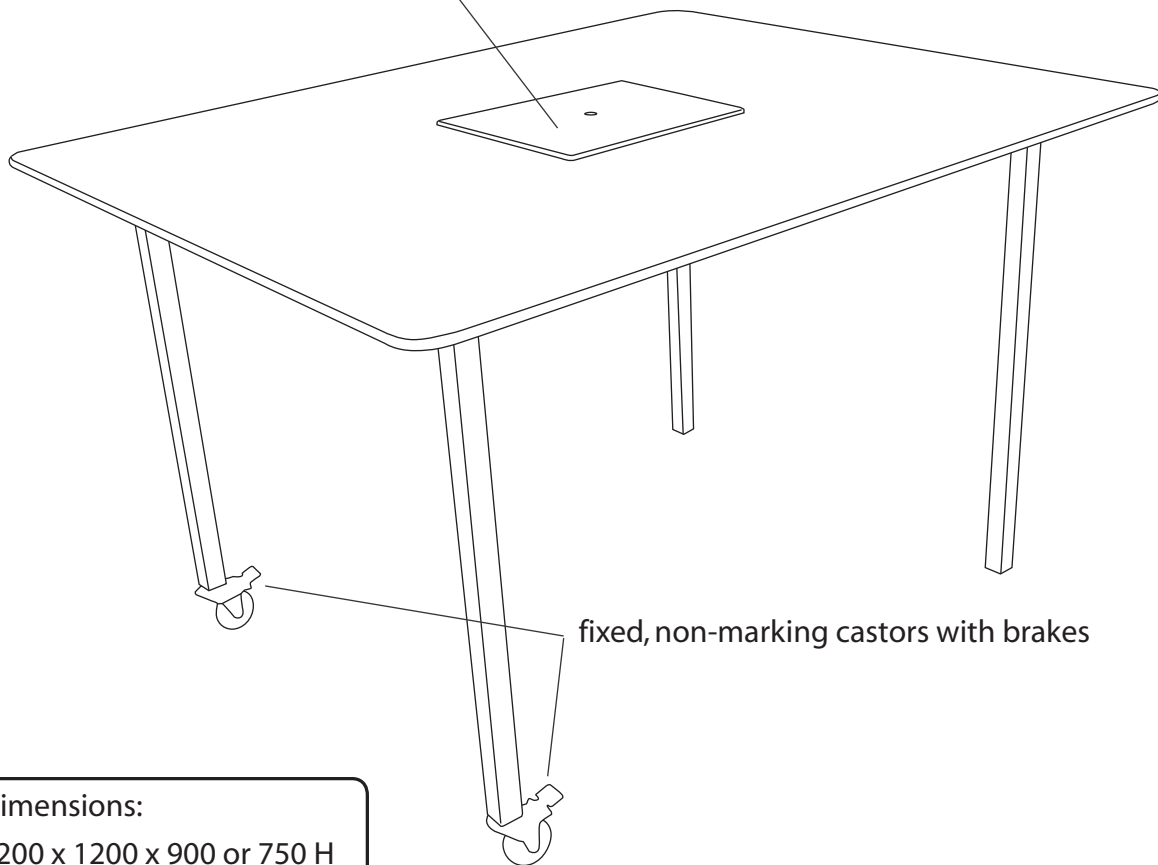
DALMAU FST TABLE



Food Science & Technology Table

Part # FST

Centre-well for stainless steel insert trays



Dimensions:

1200 x 1200 x 900 or 750 H

1200 x 1500 x 900 or 750 H

The Dalmau "Food Science & Technology" Table is a portable, multi-purpose work table that is designed for the delivery of the technology syllabus in the junior years. The FST table is machined from a 13mm compact phenolic material. The two fixed castors on the legs of the table allow for "wheelbarrow style" lifting and moving. The table can be made with four swivel castors if required.

The centre cut-out ("well") allows for inserting stainless steel tray for wet media work. Tool or parts holders can be custom designed as well inserts.

The Dalmau FST Table comes in two different standard sizes. However, a wide range of sizes can be custom made to suit different needs.

Contact Dalmau Designs P: 1300 919 661 E: info@dalmaudesigns.com