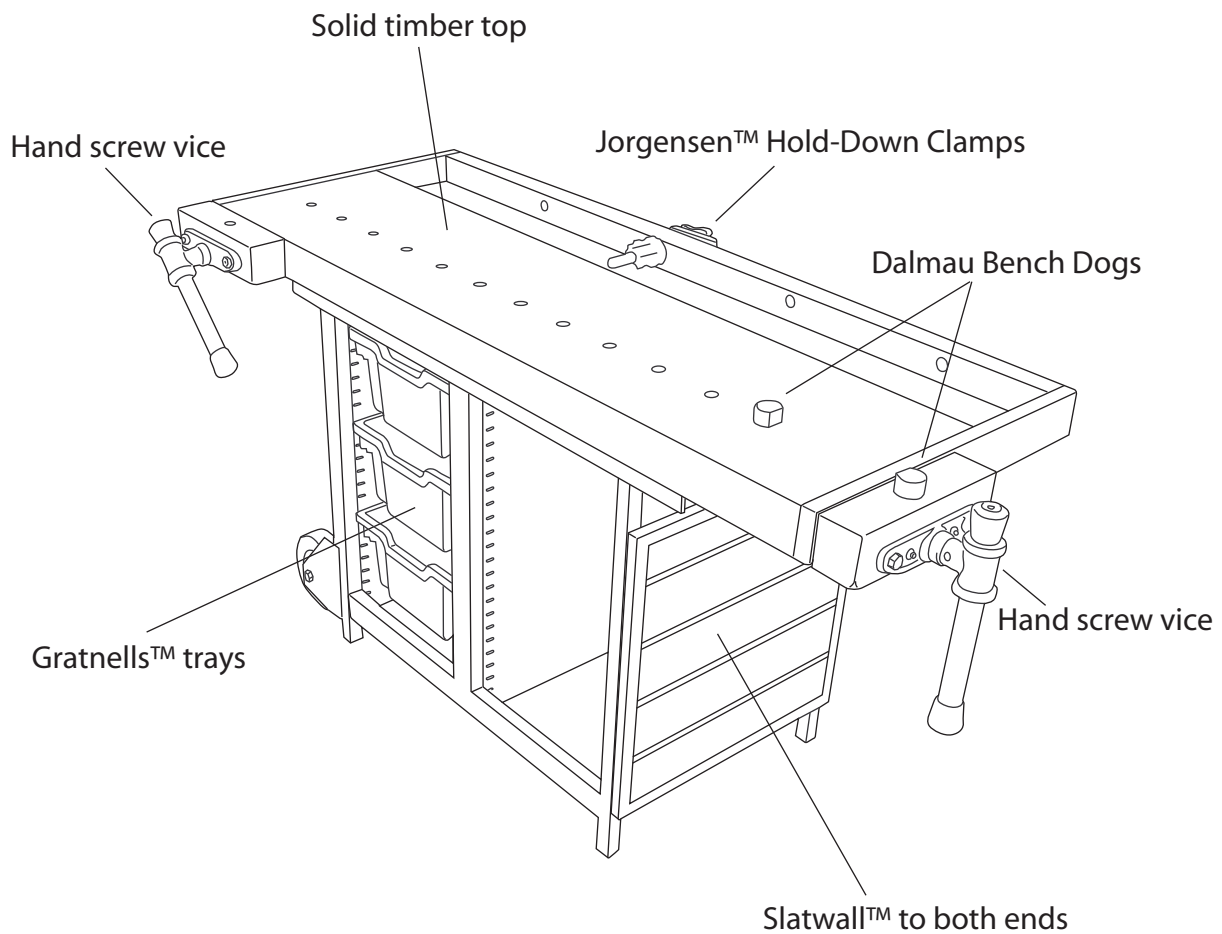


Junior Technology Workbench

Part # DWS



Dimensions: 1350 x 550 x 760 H

The Dalmau Workstation is a very sturdy mobile workbench which can be moved by "wheelbarrow style" lifting and pushing. It has two traditional hand screw vices which when used with the Dalmau bench dogs can accommodate large work pieces. Various other hold-down clamps can be used to extend the range of clamping options.

Small parts, fasteners or small tools can be stored in the small parts bins (Storboxes™) which attach to the Slatwall™ bench ends.

The Gratnells™ system of plastic trays slide in and out between the gables and can be used to store materials, larger tools, kits or projects.